

Ideen leben



Always a little more flexible:
hawa Accessories
LED Lamp





häwa LED Lamp

- Wide voltage range
- Integrated power unit
- Daisy chain
- Long service life, maintenance-free
- Magnet, screw or clip mount
- Energy-saving due to LED technology
- Quick connection due to snap lock
- ON/OFF switch or motion sensor



Product Description

- The LED lamps are designed for use in cabinets and housings equipped with electric/electronic components, especially where space is at a premium.
- These lamps have a very long service life thanks to the use of LED technology.
- Due to the magnet, the lamps can be mounted without installation effort at any required position in sheet steel enclosures.
- The lamps can be connected quickly by means of a plug connector with snap lock and integrated power unit.
- It is possible to connect up to 10 lamps (DC 12V up to 5 lamps) to each other (cascading).

Scope of delivery

- 1 lamp

Technical Data

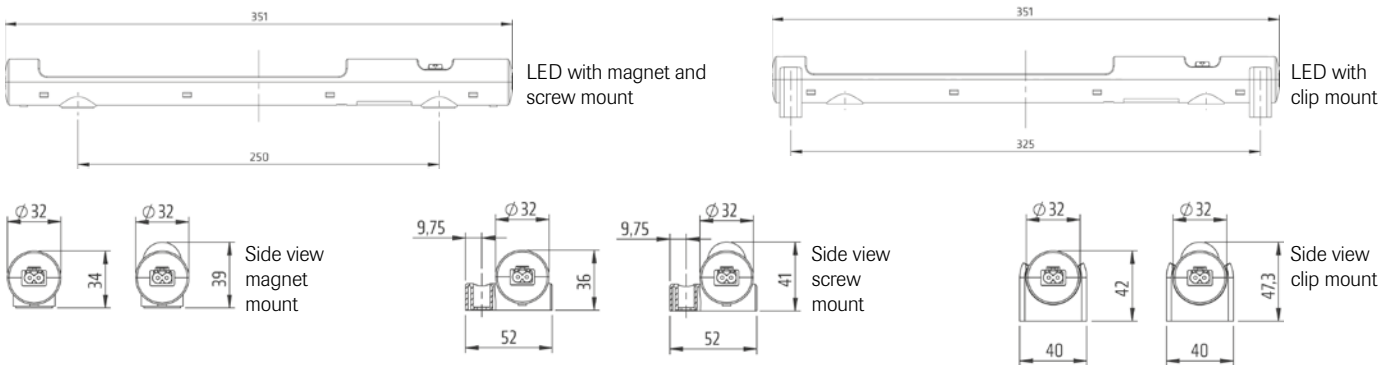
- Power consumption: max. 5 W (corresponds to 95 W incandescent lamp)
- Light intensity: 400 Lm
- Lamp type: LED, radiation angle 120°
- Light color: daylight white, color temperature: 6.000 – 7.000 K
- Service life: 60.000 h at 20°C (68°F)
- Connection: 2-pole connector with snap lock
AC: Max. 2.5 A/AC 240 V, color: white
DC: Max. 2.5 A/DC 60 V, color: blue
- Mounting: magnet / screw (M5),
clip (M6), torque 2 Nm, 250 mm distance
- Casing: plastic, transparent
- Weight: 0.2 kg
- Dimensions L x H x W: see technical drawings
- Operating / storage temperature: -30 to +60°C
(-22 to +140°F) / -40 to +85°C (-40 to +185°F)
- Operating / storage humidity: max. 90% rH (non-condensing)
- Protection type / protection class: IP20/II (double insulated)
12 V: IP20/III (extra-low voltage)
- Approvals: CE, cURus

Accessories

- Male and female connectors
- Connection cable with female connectors
- Extension cable with female and male connectors for daisy chain connection

Operating voltage	Power consumption	Order No.		
		Magnet mount	Screw mount	Clip mount
W				
AC 100 – 240 V, 50 / 60 Hz (min. AC 90 V, max. AC 265 V)	5	3080-7041-23-01	3080-7041-23-00	3080-7041-23-02
DC 24 – 48 V (min. DC 20 V, max. DC 60 V)	5	3080-7041-24-01	3080-7041-24-00	3080-7041-24-02
AC 100 – 240 V, 50 / 60 Hz (min. AC 90 V, max. AC 265 V) with PIR motion sensor (approx. 5 min. fixed switch-on duration)	5	3080-7041-23-04	3080-7041-23-03	3080-7041-23-05
DC 24 – 48 V (min. DC 20 V, max. DC 60 V) with PIR motion sensor	5	3080-7041-24-04	3080-7041-24-03	3080-7041-24-05
DC 12 V (min. DC 10 V, max. DC 16 V)	5	3080-7041-12-02	3080-7041-12-01	3080-7041-12-03

Technical Information



Accessories

Male and female connectors

Type	Voltage	Color	Approval	Use	Order No.
Loose female connector	AC	white	VDE*	for input side	3080-7041-23-28
Loose male connector	AC	white	VDE*	for output side	3080-7041-23-29
Loose female connector	DC 12 V	blue	VDE*	for input side	3080-7041-12-28
Loose male connector	DC 12 V	blue	VDE*	for output side	3080-7041-12-29
Loose female connector	DC 24 – 48 V	blue	VDE*	for input side	3080-7041-24-28
Loose male connector	DC 24 – 48 V	blue	VDE*	for output side	3080-7041-24-29

Connection cables with female connectors

Type	Length	Voltage	Color	Approval	Use	Order No.
m						
Sheathed cable 2 x 1.5 mm ²	2.0	AC	female connector white / cable white	VDE	for input side	3080-7041-23-24
Sheathed cable AWG 16	2.0	AC	female connector white / cable white	VDE*	for input side	3080-7041-23-25
Sheathed cable 2 x 1.5 mm ²	2.0	DC 12 V	female connector blue / cable white	VDE	for input side	3080-7041-12-24
Sheathed cable AWG 16	2.0	DC 12 V	female connector blue / cable white	VDE*	for input side	3080-7041-12-25
Sheathed cable 2 x 1.5 mm ²	2.0	DC 24 – 48 V	female connector blue / cable white	VDE	for input side	3080-7041-24-24
Sheathed cable AWG 16	2.0	DC 24 – 48 V	female connector blue / cable white	VDE*	for input side	3080-7041-24-25

Extension cables with male and female connectors for daisy chain connection

Type	Length	Voltage	Color	Approval	Use	Order No.
m						
Sheathed cable 2 x 1.5 mm ²	1.0	AC	male/female connectors white, cable white	VDE	daisy chain connection	3080-7041-23-26
Sheathed cable AWG 16	1.0	AC	male/female connectors white, cable white	VDE*	daisy chain connection	3080-7041-23-27
Sheathed cable 2 x 1.5 mm ²	1.0	DC 12 V	male/female connectors blue, cable white	VDE	daisy chain connection	3080-7041-12-26
Sheathed cable AWG 16	1.0	DC 12 V	male/female connectors blue, cable white	VDE*	daisy chain connection	3080-7041-12-27
Sheathed cable 2 x 1.5 mm ²	1.0	DC 24 – 48 V	male/female connectors blue, cable white	VDE	daisy chain connection	3080-7041-24-26
Sheathed cable AWG 16	1.0	DC 24 – 48 V	male/female connectors blue, cable white	VDE*	daisy chain connection	3080-7041-24-27

* Individual components of the products are UL-approved by the manufacturer

häwa GmbH
 Industriestraße 12
 D 88489 Wain
 Tel. +49 7353 98460
 Fax +49 7353 1050
 info@haewa.de
 www.haewa.de



D 08451 Crimmitschau

Sachsenweg 3
 Tel. +49 3762 95271/2
 Fax +49 3762 95278
 vertrieb.c@haewa.de

D 47167 Duisburg

Gewerbegebiet Neumühl
 Theodor-Heuss-Str. 128
 Tel. +49 203 346530
 Fax +49 203 589785
 vertrieb.d@haewa.de

D 63477 Maintal

Dörnigheim
 Carl-Zeiss-Straße 7
 Tel. +49 6181 493031
 Fax +49 6181 494003
 vertrieb.rm@haewa.de

A 4020 Linz

Schmachtl GmbH
 Pummererstraße 36
 Tel. +43 732 76460
 Fax: +43 732 785036
 office.linz@schmachtl.at

CH 8967 Widen

häwa (Schweiz) ag
 Gyrenstrasse 5a
 Tel. +41 43 3662222
 Fax +41 43 3662233
 info@haewa.ch

DK 6400 Sonderborg

Eegholm A/S
 Grundtvigs Allé 165 - 169
 Tel. +45 73 121212
 Fax: +4573 121213
 eegholm@eegholm.dk

E 48450 Etxebarri

haweá ibérica, s.l.
 Poligono Leguizamón
 Calle Guipuzcoa, Pab.9
 Tel. +34 944 269521
 Fax: +34 944 261087
 haweá@ctv.es

F 67140 Eichhoffen

häwa France Sarl
 8 B Rue des Industries
 Tel. +33 3 88088880
 Fax: +33 3 88088859
 info@haewa.fr

I 88489 Wain

häwa Italia
 Industriestraße 12
 Tel. +49 7353 9846115
 Fax +49 7353 1050
 info@haewa.it

NL 7500 AC Enschede

häwa Nederland B.V.
 Postbus 136
 Tel. +31 53 4321835
 Fax +31 53 4303414
 info@haewa.nl

SE 88489 Wain

häwa Schweden
 Industriestraße 12
 Tel. +49 7353 98460
 Fax +49 7353 1050
 info@haewa.se

SE 192 79 Sollentua
 (only for tools)

Nelco Contact AB
 Bergkällvägen 29
 Tel. + 46 8 7547040
 Fax +46 8 7548051
 info@nelco.se

USA Duluth, GA 30097

häwa Corporation
 3768 Peachtree Crest Drive
 Tel. +1 770 9213272
 Fax +1 770 9212896
 info@haewa.com

RUS 88489 Wain

häwa Russland
 Industriestraße 12
 Tel. +49 7353 9846 169
 Fax +49 7353 1050
 edgar.getz@haewa.de



CABINET SYSTEMS



X-FRAME



ENCLOSURES



ACCESSORIES



CLIMATE CONTROL



CABLE DUCTS



CUSTOMIZED SOLUTIONS



TOOLS